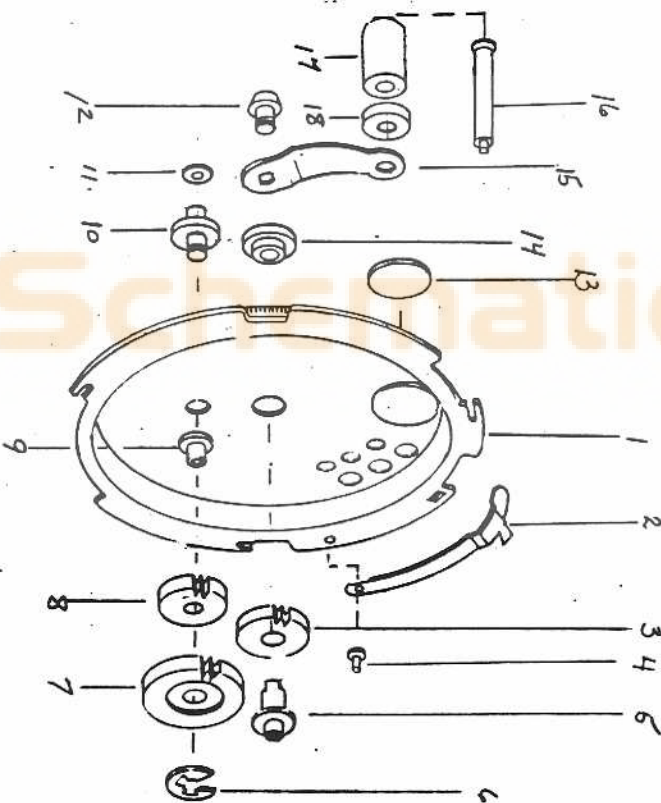


MG-72R



PART NUMBER	QUANTITY
816 GEAR COVER	1
108 LOCK SPRING	1
716 DRIVE GEAR	1
83 PINION	1
703 PINION SKIRT	1
347 GEAR RETAINER	1
705 SECONDARY GEAR	1
706 INTERMEDIATE GEAR	1
707 GEAR BEARING	1
702 SECONDARY GEAR STUD	1
5-70 MOUNTING WASHER	1
302 COVER RETAINING SCREW	1
728-G AXIAL SEAL	1
701 PINION BEARING	1
704 PINION HANDLE	1
7215 PINION HANDLE PIN	1
888-0000 HANDLE KNOB (BLK)	1
762 CRANK HANDLE SOCKET	1